



DISCOVERY

URBAN & PARKS



QUOTE

HAUL-ALL EQUIPMENT LTD WASTE & RECYCLING SOLUTIONS



Haul-All Equipment specializes in the design, manufacture, sale and support of waste and recycling systems including storage containers, collection vehicles and transfer stations.

40+ years experience
30+ Patents & Trademarks
IGBC Certified Products

Our focus is on delivering high-quality products and pioneering advancements in the industry.

THE DISCOVERY:

PRACTICAL AND SUSTAINABLE WASTE MANAGEMENT

The Discovery container combines durability with a design suited for urban settings. Made with long-lasting materials and optional recycled accents, it supports environmental responsibility.

Its design allows for efficient use of space and easy access, making it a practical choice for any area. The Discovery also includes options

for wildlife resistance and recycling, addressing diverse waste management needs with simplicity.

Front loading and front unloading doors allow the Discovery to fit where you need it.

Choose the Discovery for straightforward, eco-friendly waste solutions in your community or project.

TRUSTED BY



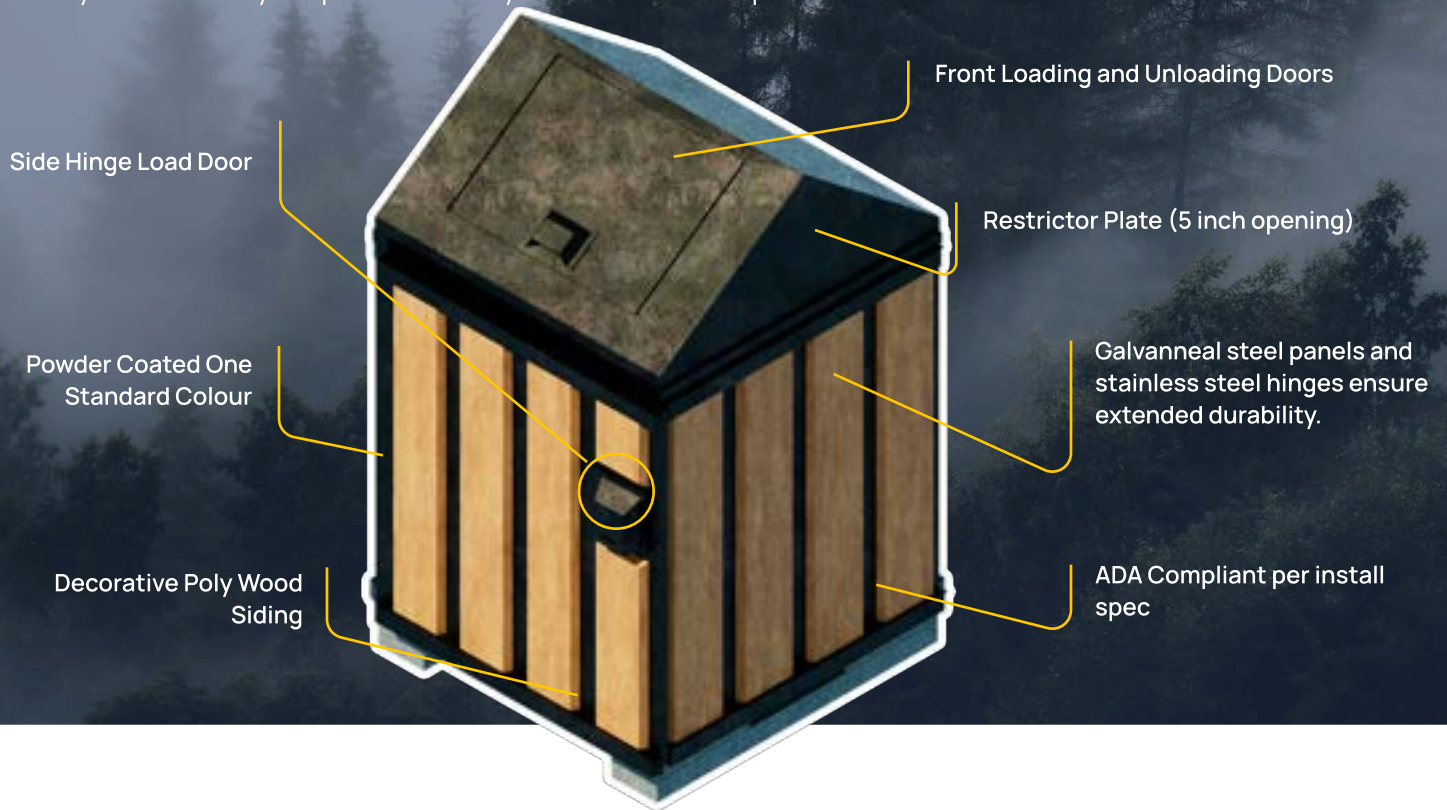
BC Parks



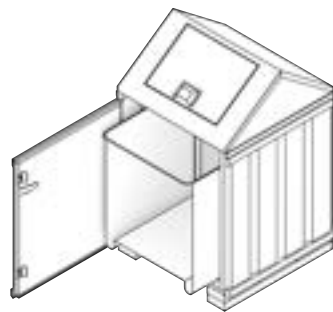


DISCOVERY

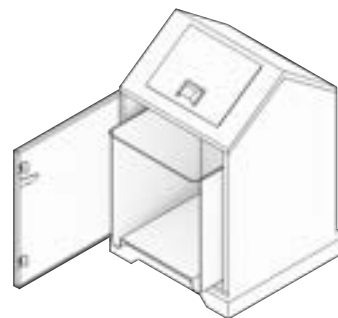
Like our Hid-A-Bag container, the Discovery is a riveted assembly manufactured from powder coated galvalneal steel with stainless steel hinges to ensure extended durability. The discovery can be optioned with our decorative poly wood siding, which is actually made from recycled plastic that many of our containers help to collect!



MODEL VARIANTS



Poly Siding



No Poly Siding



QUOTE

DISCOVER THE FEATURES THAT MAKE **DISCOVERY** YOUR BEST CHOICE!



IGBC BEAR RESISTANT CERTIFIED



RECYCLING RESTRICTOR PLATE



RECYCLING HOOD



VINYL GRAPHICS WRAP



CUSTOM DECALS



KEY SLOT LOCK ON UNLOAD DOOR

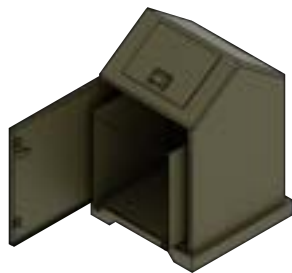


ORGANICS LINER

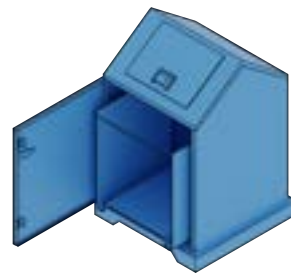


CONCRETE MOUNTING PAD

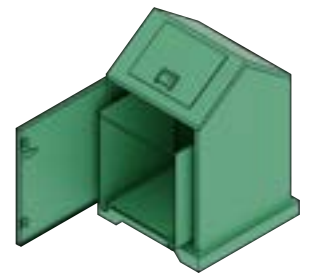
STOCK COLOURS



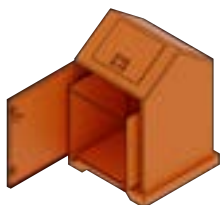
● Neufeldt Green



● Grabber Blue



● Forest Green



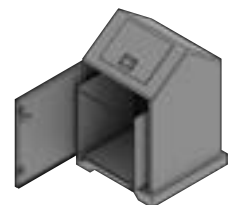
● Orange



● Baron Red



● Black



● Pewter

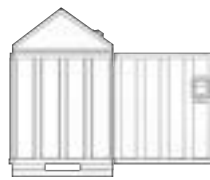
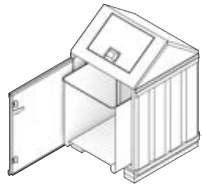


QUOTE

SPECIFICATIONS

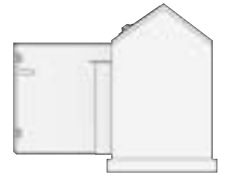
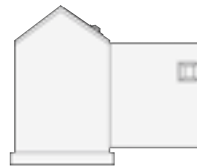
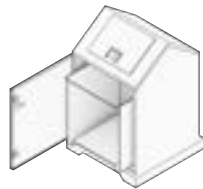
POLY SIDING

CAPACITY	HEIGHT	LENGTH	WIDTH	CONSTRUCTION	HINGES & LATCHES	PAINT	WEIGHT	WEIGHT (PRECAST MOUNTING PAD)
265 L (9.3 cu.ft./ 70 US Gallons)	1132 mm (44-1/2 inches)	735 mm (29 inches)	710 mm (28 inches)	Galvanneal Steel	Stainless Steel	Powder Coat	131 kg (288 lbs)	102 kg (225 lbs)



NO POLY SIDING

CAPACITY	HEIGHT	LENGTH	WIDTH	CONSTRUCTION	HINGES & LATCHES	PAINT	WEIGHT	WEIGHT (PRECAST MOUNTING PAD)
265 L (9.3 cu.ft./ 70 US Gallons)	1132 mm (44-1/2 inches)	711 mm (28 inches)	710 mm (28 inches)	Galvanneal Steel	Stainless Steel	Powder Coat	106 kg (233 lbs)	102 kg (225 lbs)



**CONTACT OUR TEAM
FOR TAILORED ADVICE & PRICING**

1-888-428-5255

SALES@HAULALL.COM

BOOK A CALL

REQUEST A QUOTE

